

3" Side Loading Water Station

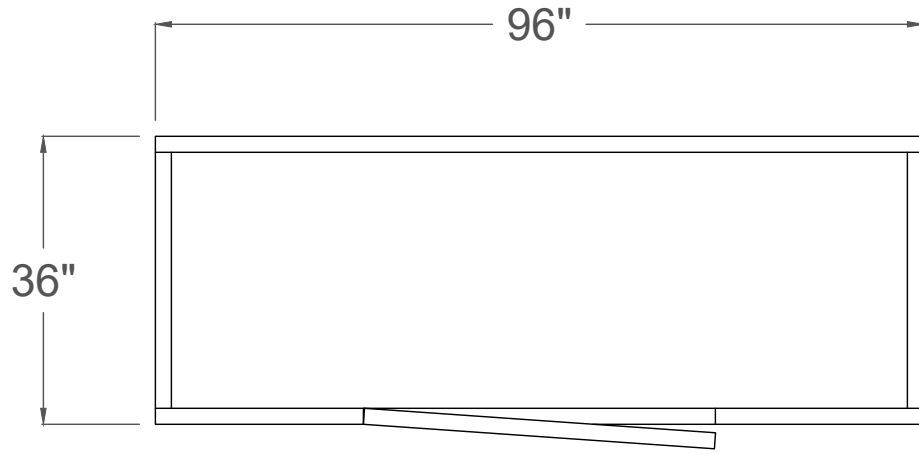


- ❖ 3" Side Loading Station Delivers 300-450gpm (40-80psi)
 - Fills a 210 gallon tank in <1 minutes at 350gpm
 - Fills a 500 gallon tank in <2 minutes at 350gpm
 - Fills a 2,000 gallon truck in <6 minutes at 350gpm
 - Fills a 5,000 gallon truck in <15 minutes at 350gpm

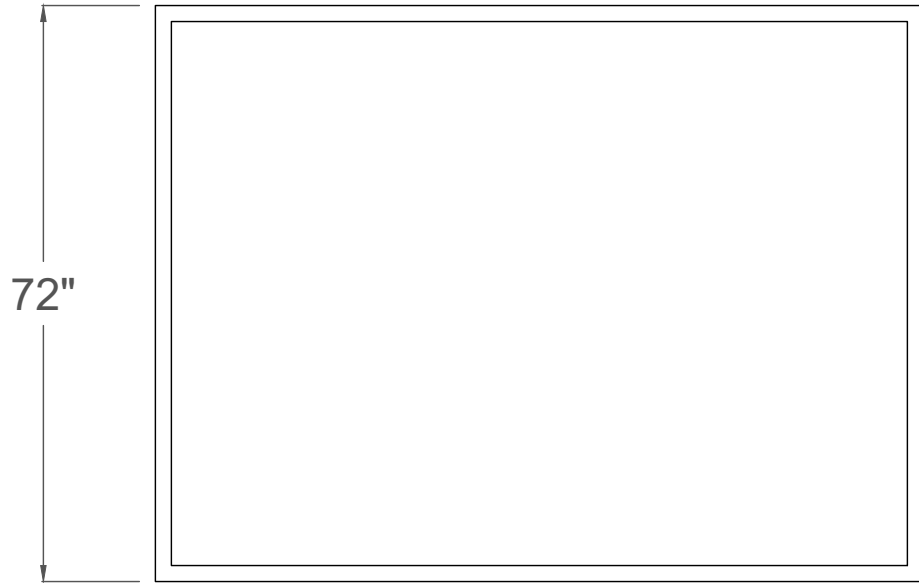
- ❖ Operating Systems Available
 - AquaTrack Internet/Cloud Based System
 - AquaFlow II RFID Card Based System
 - AquaVendor Hybrid Internet/Card based system
 - QuarterMaster Coin/Token Based System

DRAWING SCHEDULE 3" SIDE

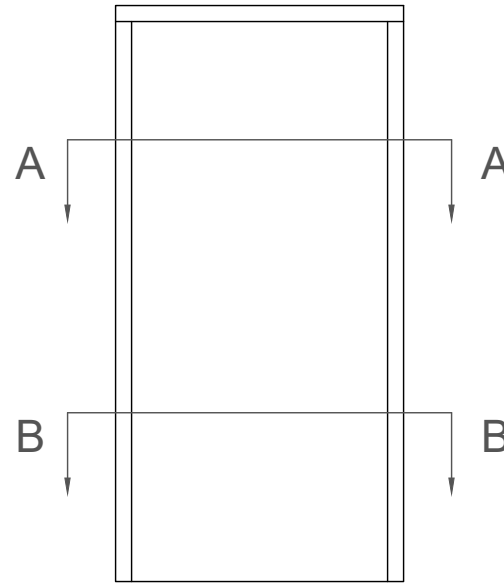
PDF LABEL	DRAWING NUMBER	DRAWING NAME
B3S1	1 of 9	ENCLOSURE LAYOUT
B3S2	2 of 9	ENCLOSURE LAYOUT SECTION A-A
B3S3	3 of 9	ENCLOSURE LAYOUT SECTION B-B
B3S4	4 of 9	COMPONENT LAYOUT
B3S5	5 of 9	ELECTRICAL COMPONENTS
B3S6	6 of 9	PLUMBING COMPONENTS
B3S7	7 of 9	PLUMBING / ELECTRICAL
B3S8	8 of 9	SLAB LAYOOUT DETAIL
B3S9	9 of 9	SAMPLE SITE DRAWING
B3S		DRAWING SCHEDULE



TOP



FRONT



SIDE

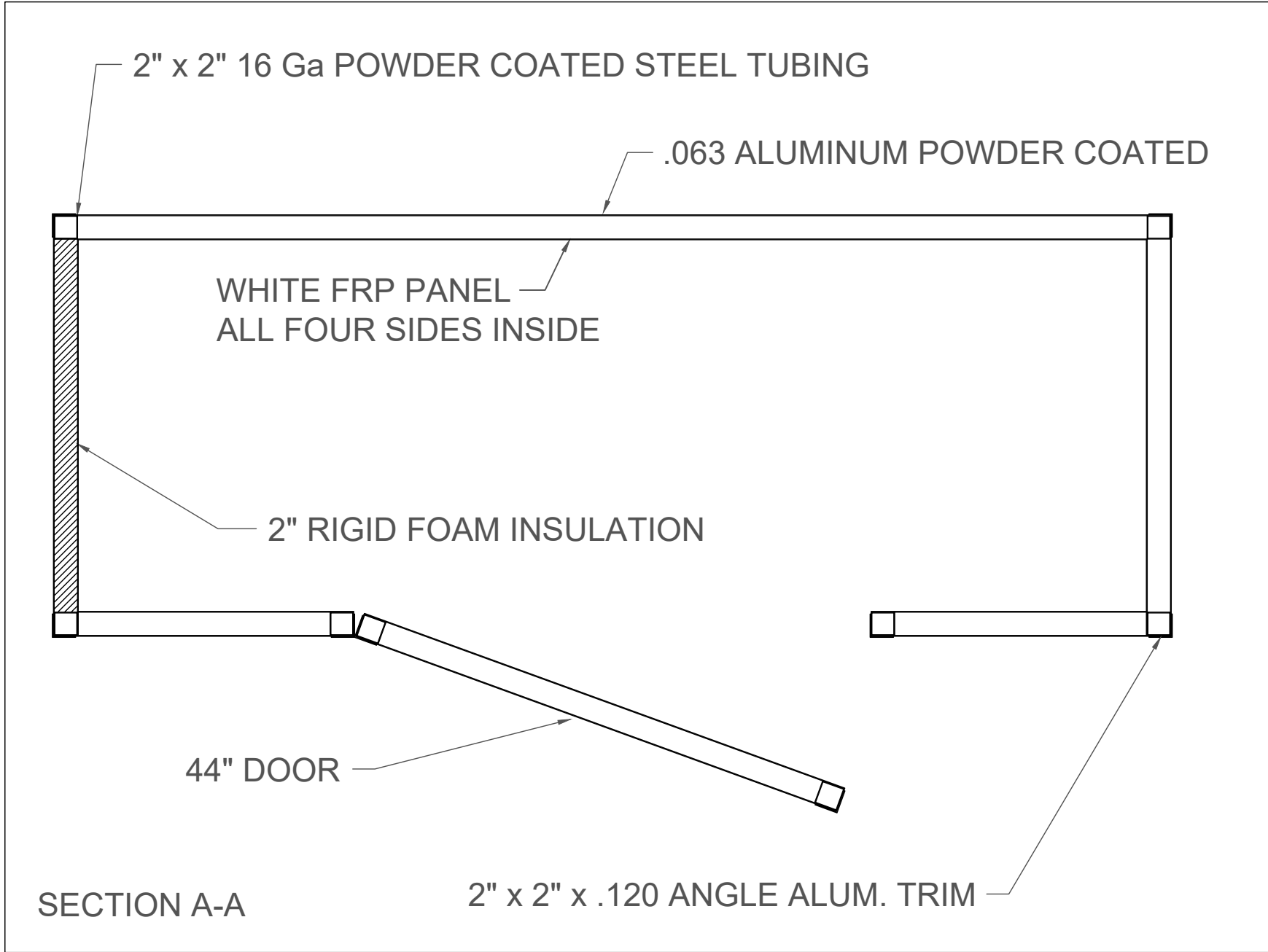
AQUA FLOW INT'L. INC.
 P.O. BOX 2841
 FLAGSTAFF, AZ. 86003
 (928) 380-6164



3" SIDE LOADING STATION

ENCLOSURE LAYOUT

SCALE: 1/2" = 1'-0"



AQUA FLOW INT'L. INC.
P.O. BOX 2841
FLAGSTAFF, AZ. 86003
(928) 380-6164



3" SIDE LOADING STATION

ENCLOSURE LAYOUT
SECTION A-A

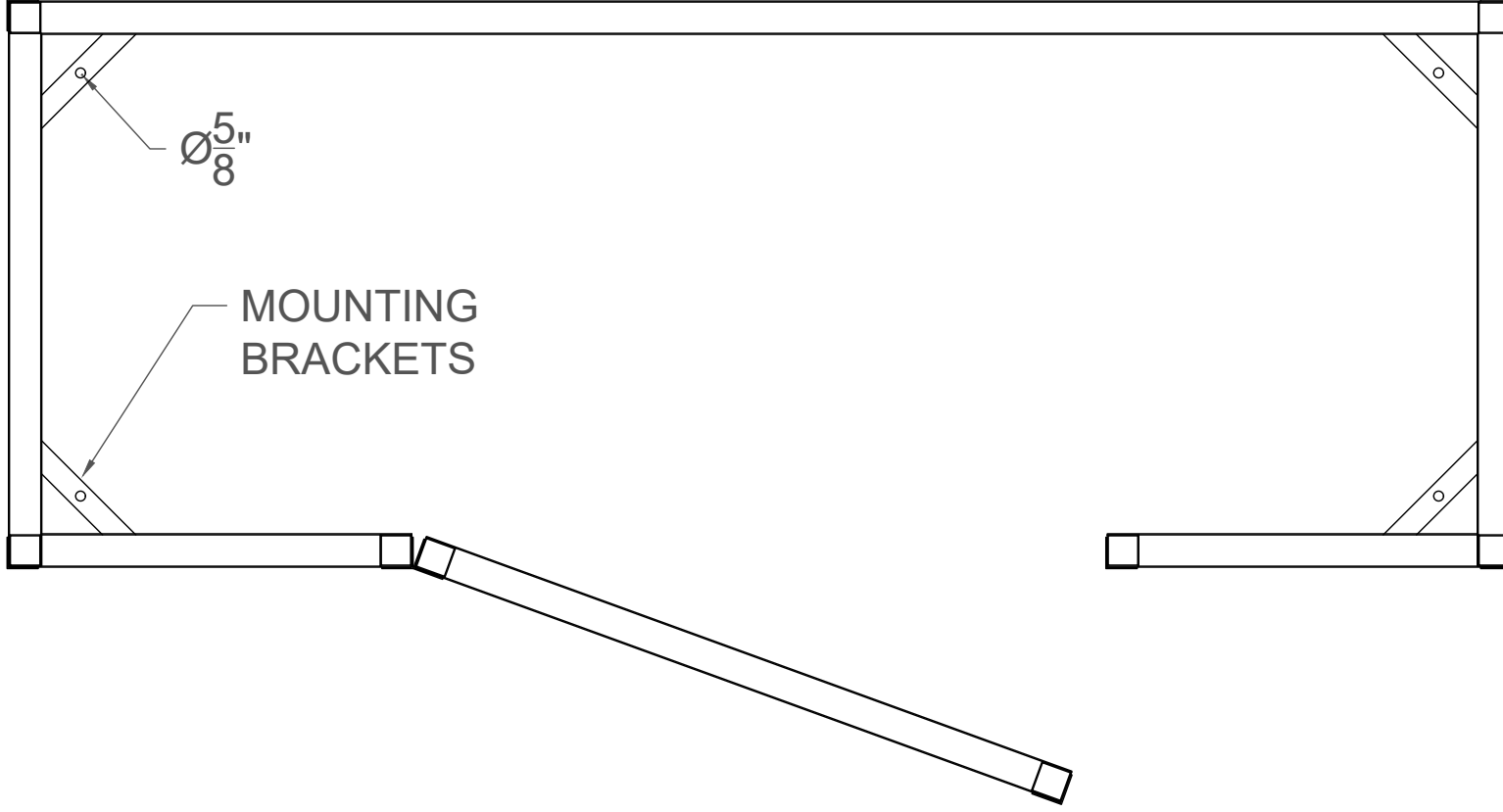
SCALE: 1" = 1'-0"

2

OF

9

SECTION B-B



$\varnothing \frac{5}{8}''$

MOUNTING
BRACKETS

3" SIDE LOADING STATION

ENCLOSURE LAYOUT
SECTION B-B

SCALE: 1" = 1'-0"

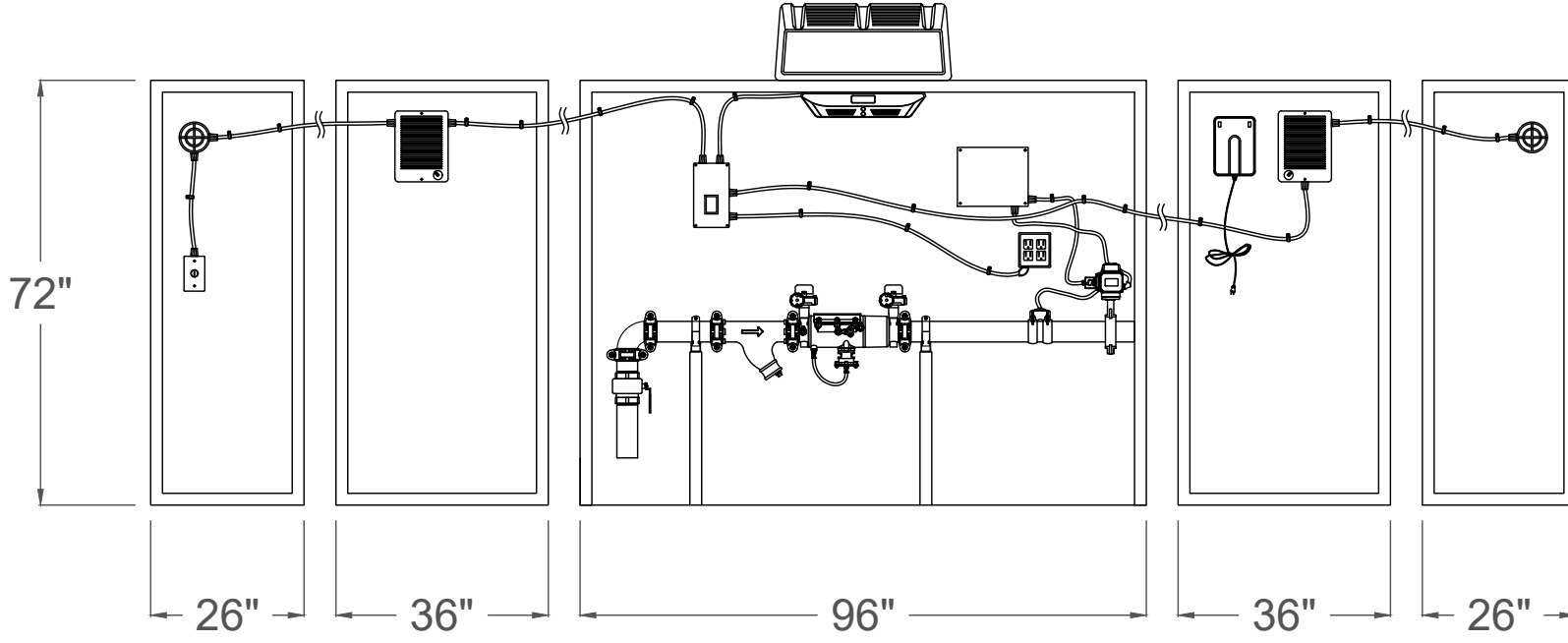
AQUA FLOW INT'L. INC.
P.O. BOX 2841
FLAGSTAFF, AZ. 86003
(928) 380-6164



3

OF

9



3" SIDE LOADING STATION

COMPONENT LAYOUT

SCALE: 3/8" = 1'-0"

4

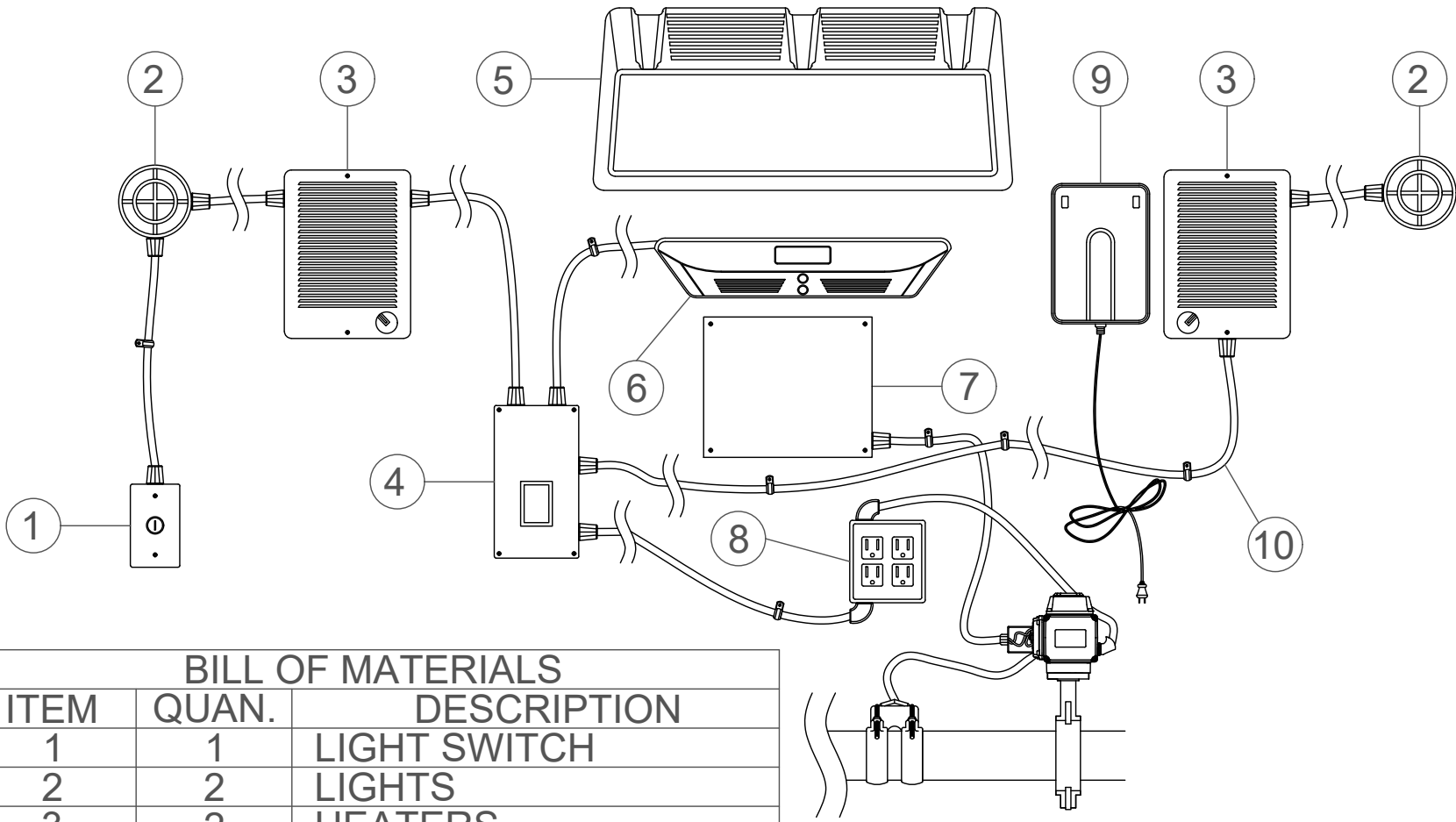
OF

9



AQUA FLOW INT'L. INC.

P.O. BOX 2841
 FLAGSTAFF, AZ. 86003
 (928) 380-6164



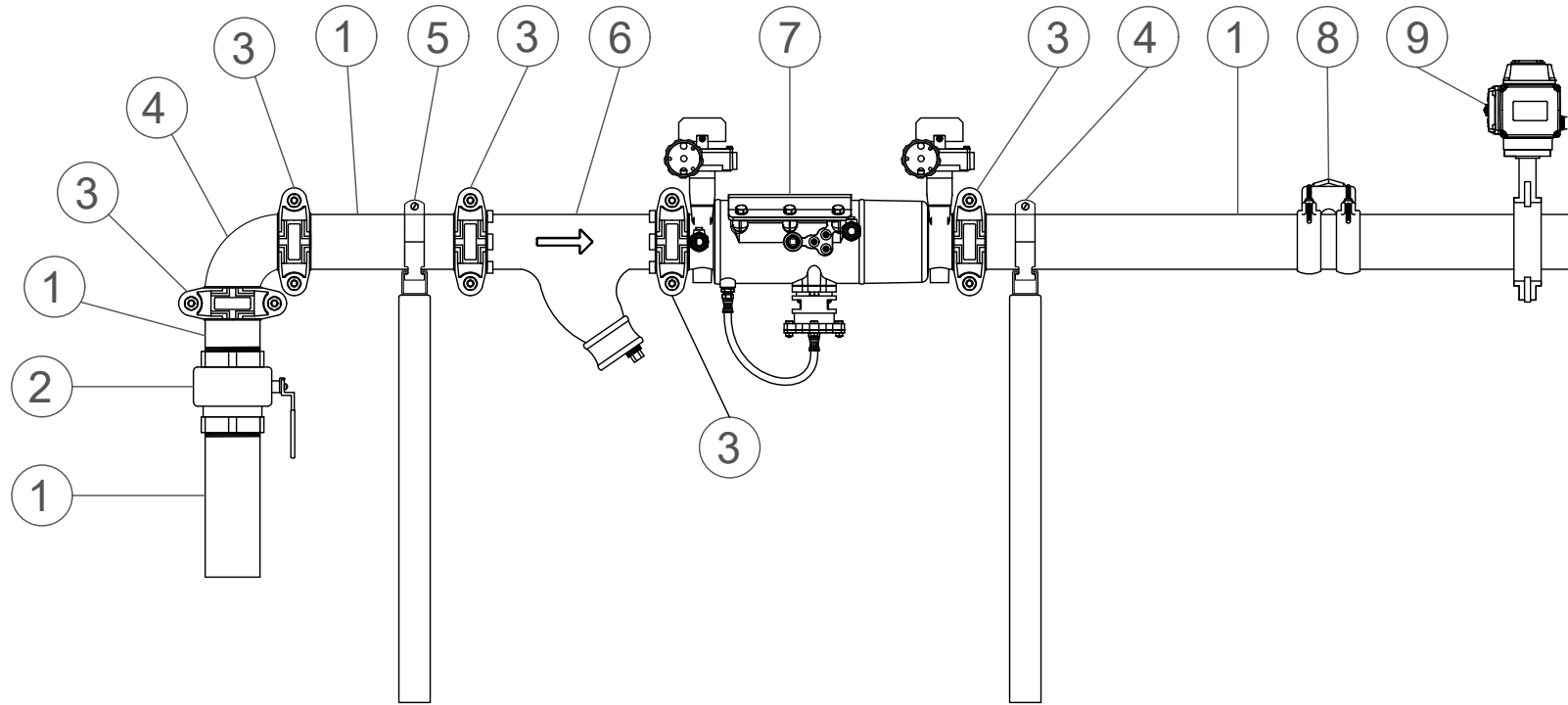
BILL OF MATERIALS		
ITEM	QUAN.	DESCRIPTION
1	1	LIGHT SWITCH
2	2	LIGHTS
3	2	HEATERS
4	1	SUB PANEL
5	1	AIR CONDITIONER
6	1	DIFUSOR
7	1	CUSTOMER INTERFACE
8	1	RECEPTICLE
9	1	UPS
10		1/2" LFMS

AQUA FLOW INT'L. INC.
P.O. BOX 2841
FLAGSTAFF, AZ. 86003
(928) 380-6164



3" SIDE LOADING STATION
ELECTRICAL COMPONENTS
SCALE: 1" = 1'-0"

5 OF 9



AQUA FLOW INT'L. INC.
 P.O. BOX 2841
 FLAGSTAFF, AZ. 86003
 (928) 380-6164



BILL OF MATERIALS		
ITEM	QUAN.	DESCRIPTION
1	4	3" PIPE
2	1	GATE VALVE
3	5	CLAMP
4	1	ELBOW
5	2	UNISTRUT CLAMP
6	1	STRAINER
7	1	BACK FLOW
8	1	FLOW SENSOR
9	1	BUTTERFLY VALVE

3" SIDE LOADING STATION

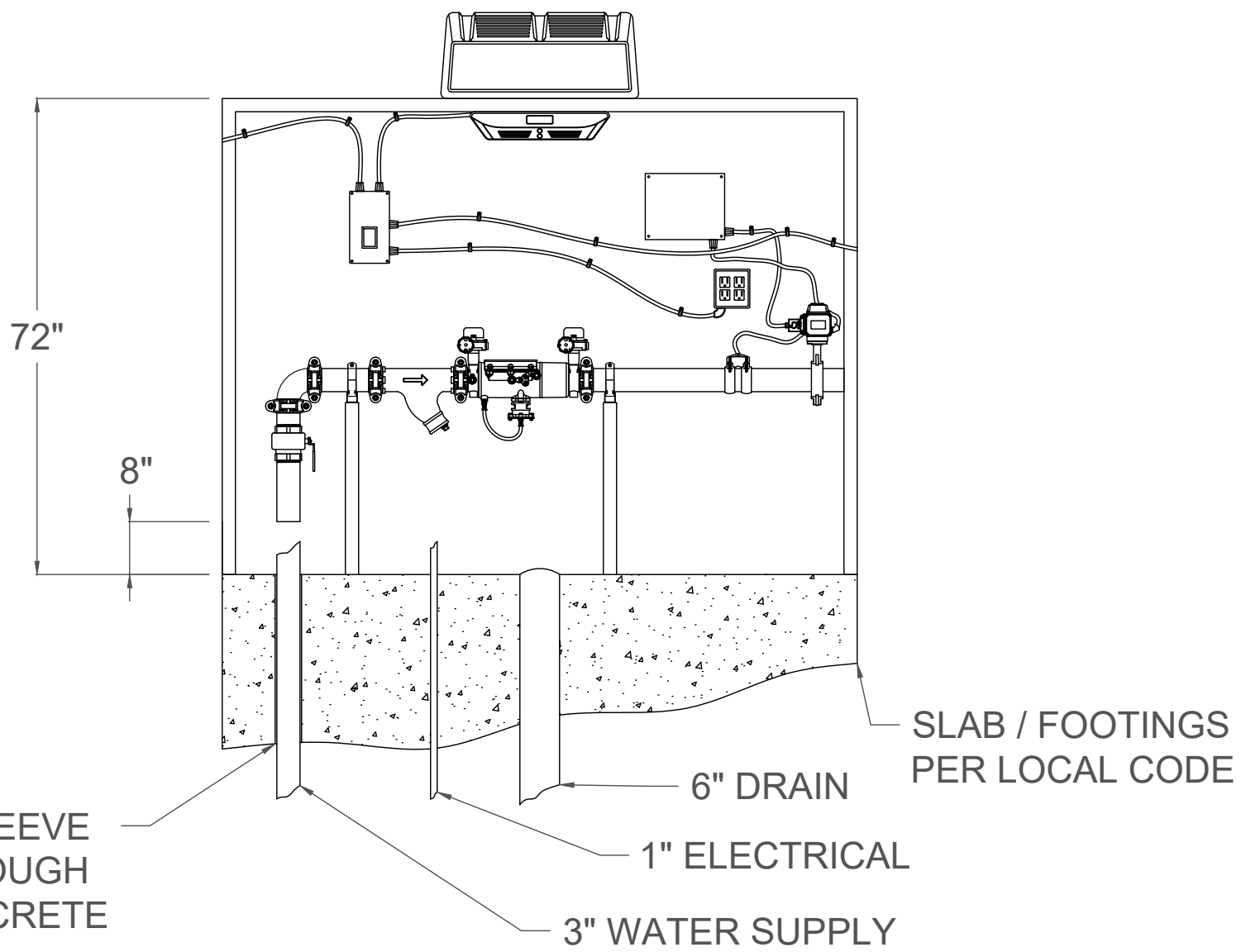
PLUMBING COMPONENTS

SCALE: 1" = 1'-0"

6

OF

9



4" SLEEVE THROUGH CONCRETE

72"

8"

6" DRAIN
1" ELECTRICAL
3" WATER SUPPLY

SLAB / FOOTINGS PER LOCAL CODE

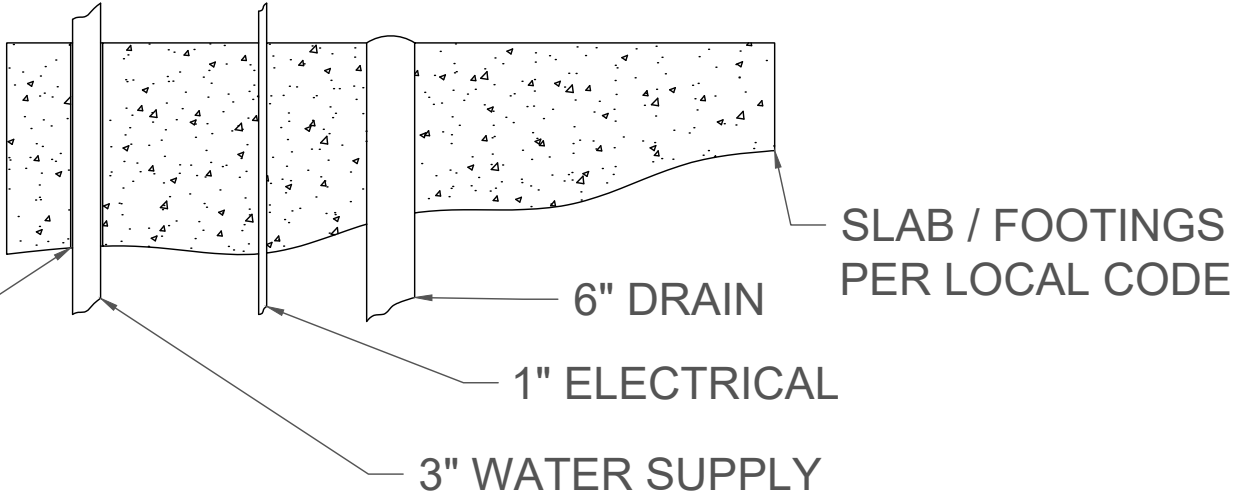
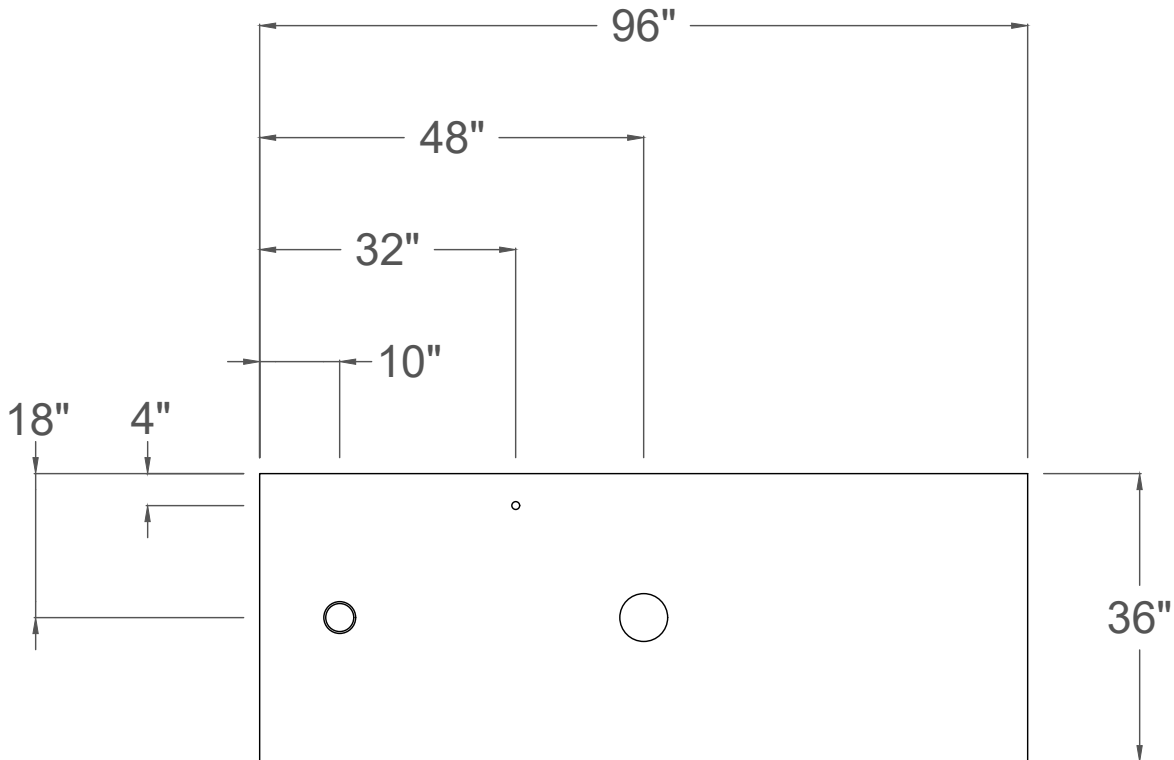
PLEASE SEE SLAB DETAILS FOR PLACEMENT OF SUPPLY AND DRAIN.

AQUA FLOW INT'L. INC.
P.O. BOX 2841
FLAGSTAFF, AZ. 86003
(928) 380-6164



3" SIDE LOADING STATION
ENCLOSURE LAYOUT
PLUMBING / ELECTRICAL
SCALE: 1/2" = 1'-0"

7 OF 9



AQUA FLOW INT'L. INC.
 P.O. BOX 2841
 FLAGSTAFF, AZ. 86003
 (928) 380-6164

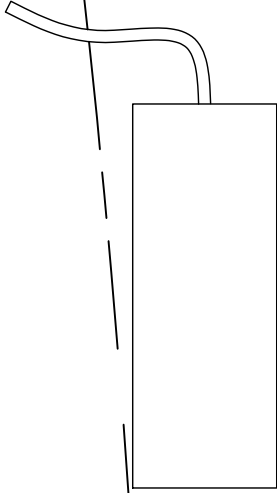


3" SIDE LOADING STATION

SLAB LAYOUT DETAIL

SCALE: 1/2" = 1'-0"

CUSTOMERS
LOAD THIS
SIDE



ACCESS
DOOR
SIDE

3" SIDE LOADING STATION

SAMPLE SITE DRAWING

SCALE: 1/4" = 1'-0"



AQUA FLOW INT'L. INC.
P.O. BOX 2841
FLAGSTAFF, AZ. 86003
(928) 380-6164